



Valves, Automation & Controls

Series N66 3-PIECE SANITARY BALL VALVE

Design Features

- Tube Full Port
- 1000 CWP (1/2" - 2")
- 600 CWP (2-1/2" - 4")
- 316 stainless steel body
- Blow out proof stem
- Clamp, extended Butt-weld or short Butt-weld ends available
- 3-Piece design
- ISO 5211 mounting pad
- Lockable lever or oval handle



USA 800-766-0076

Fax 323-890-4456

www.smithcooper.com

www.sharpevalves.com

Los Angeles, CA

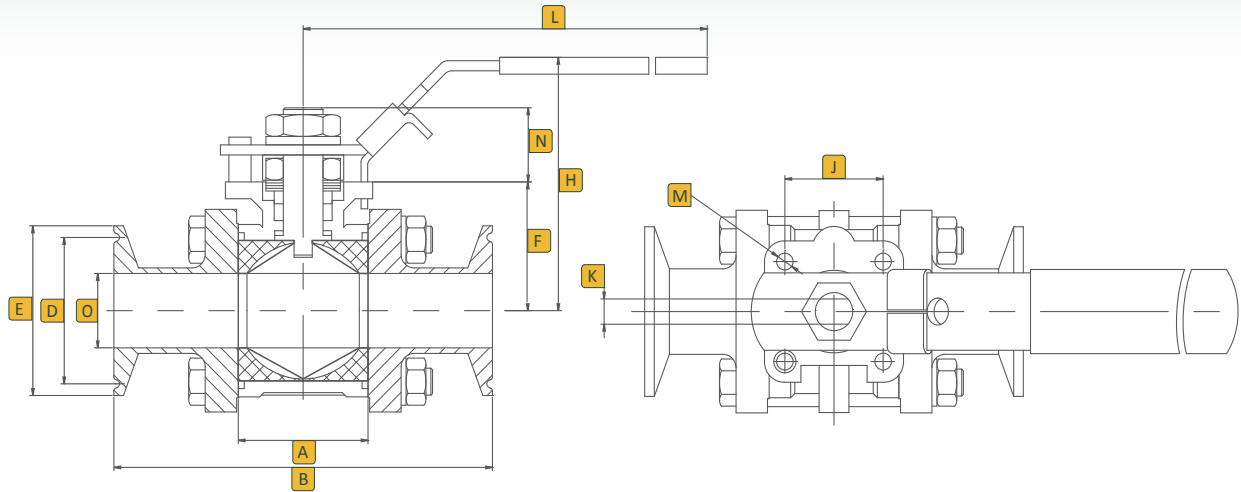
Chicago, IL

Atlanta, GA

Vancouver, WA

Houston, TX

Dimensions

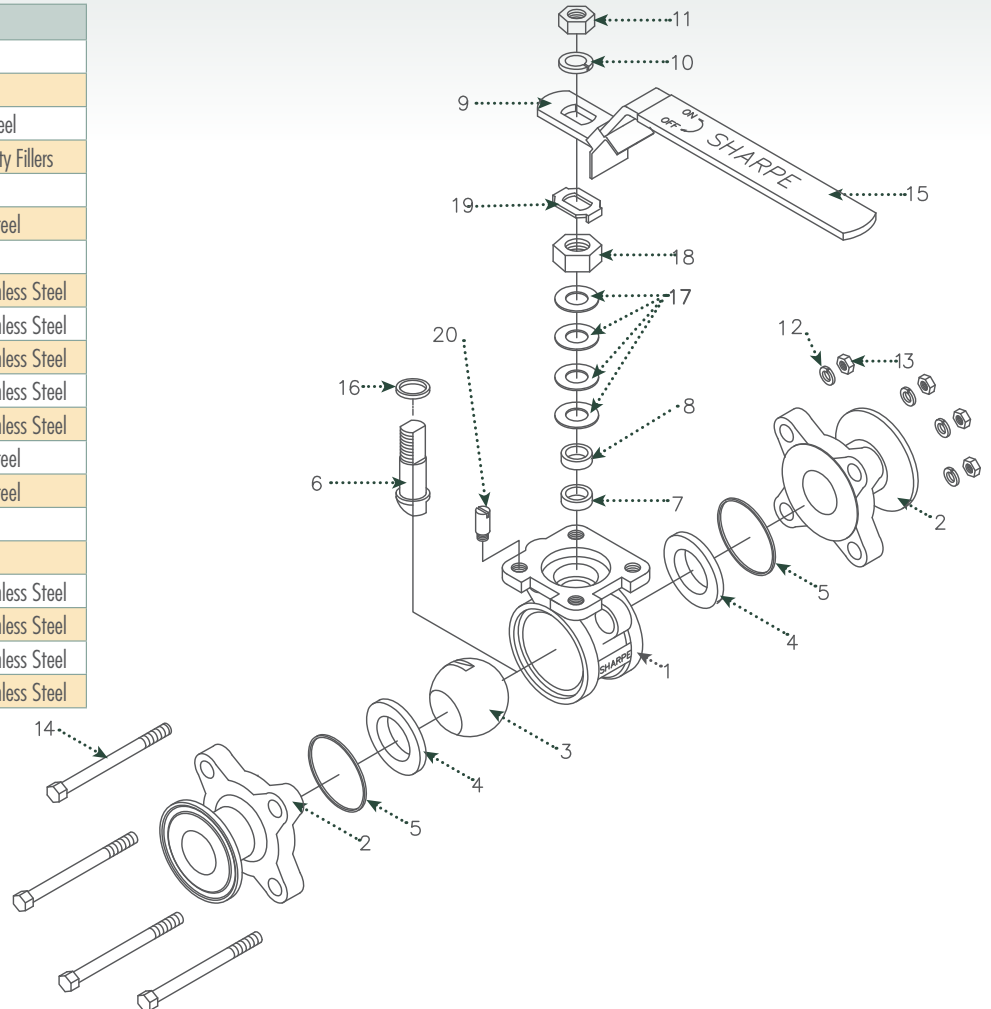


Dimensions (Inches)

Size	A	B	D	E	F	H	J	K	L	M	N	O
1/2	0.96	3.5	0.79	0.98	1.14	2.44	1.42 (F03)	0.22	4.92	M5x.8	0.65	0.37
3/4	1.05	4.00	0.79	0.98	1.20	2.50	1.42 (F03)	0.22	4.92	M5x.8	0.65	0.62
1	1.54	4.50	1.71	2.00	1.50	2.96	1.65 (F04)	0.30	5.71	M5x.8	0.84	0.87
1-1/2	2.13	5.50	1.71	2.00	1.91	3.64	1.97 (F05)	0.34	7.48	M6x1.0	1.17	1.37
2	2.65	6.25	2.22	2.52	2.24	4.05	1.97 (F05)	0.34	7.48	M6x1.0	1.19	1.87
2-1/2	3.20	6.50	2.78	3.05	3.32	5.87	2.76 (F07)	0.55	9.84	M8x1.25	1.47	2.37
3	3.97	10.50	3.28	3.57	3.78	6.37	2.76 (F07)	0.55	9.84	M8x1.25	1.47	2.87
4	4.74	12.50	4.35	4.68	4.58	7.36	4.01 (F10)	0.75	11.33	M10x1.5	1.66	3.83

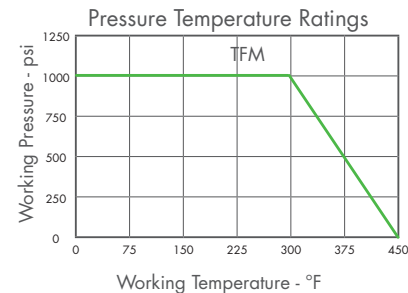
Parts & Materials

No.	Part Name	Qty	Material
1	Body	1	CF8M
2	End Cap	2	CF8M
3	Ball	1	316 Stainless Steel
4	Seats	2	TFM / PTFE Cavity Fillers
5	Body Seal	2	PTFE
6	Stem	1	316 Stainless Steel
7	Stem Seal	1	PTFE
8	Gland	1	300 Series Stainless Steel
9	Handle	1	300 Series Stainless Steel
10	Stem Washer	1	300 Series Stainless Steel
11	Stem Nut	1	300 Series Stainless Steel
12	Bolts Washer	4/12	300 Series Stainless Steel
13	Bolts Nut	4/12	316 Stainless Steel
14	Bolts	4/6	304 Stainless Steel
15	Cover	1	PVC
16	Thrust Washer	1	PTFE
17	Belleville Washer	4	300 Series Stainless Steel
18	Packing Nut	1	300 Series Stainless Steel
19	Lock Tab	1	300 Series Stainless Steel
20	Stop Pin	1	300 Series Stainless Steel



Technical Information

Size	CV	Weight LBS
1/2	15	1.2
3/4	30	2.0
1	60	3.0
1-1/2	130	6.0
2	360	9.2
2-1/2	779	17.19
3	1123	29.0
4	2054	41.0



How to Order

Fig: 1/2 - N66 - 6 - 6 - M - T - CE

Description: 1/2" - N66 - 316 Body - 316 Ball & Stem - TFM Seat - PTFE Seat - Clamp Ends

Size	Series	Body	Ball & Stem	Seat	Seal	Ends	Options
1/2 3/4 1 1-1/2 2 3 4	N66	6 316 Stainless Steel	6 316 Stainless Steel	M C TFM® PTFE Cavity Filled	T PTFE	CE BTE BE Clamp Butt-weld tube, Extended (316L) Butt-weld tube, Short (316L)	X SF OH Oxygen Clean* Silicone Free* Oval Handle

Due to continuous development of our product range, we reserve the right to change the dimensions and information for this product as required.

*POA

TFM is a registered trademark of Dyleon, LLC