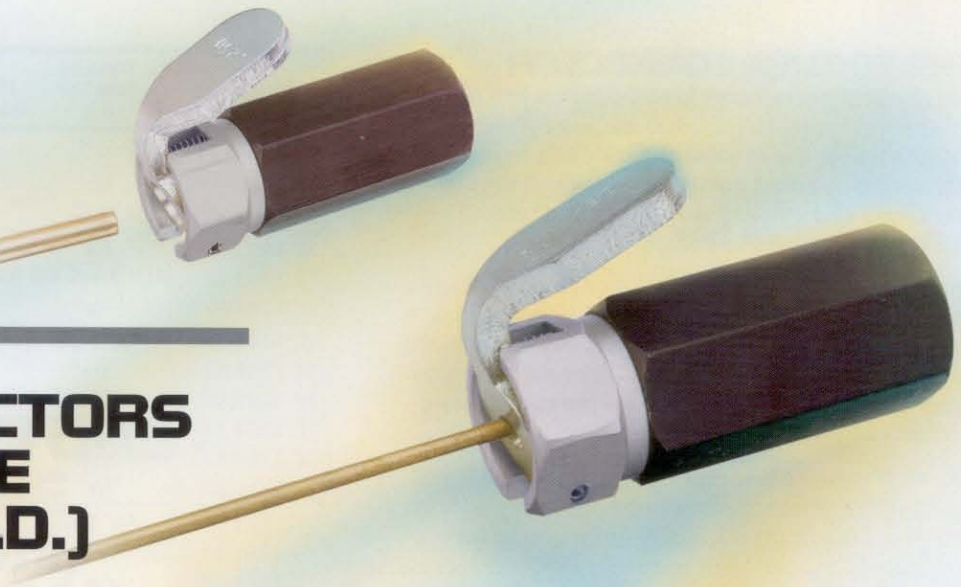




OTC

TUBE CONNECTORS WITH OUTSIDE DIAMETER (O.D.) TYPE SEAL

Pressures to 650 PSI (44 Bar)



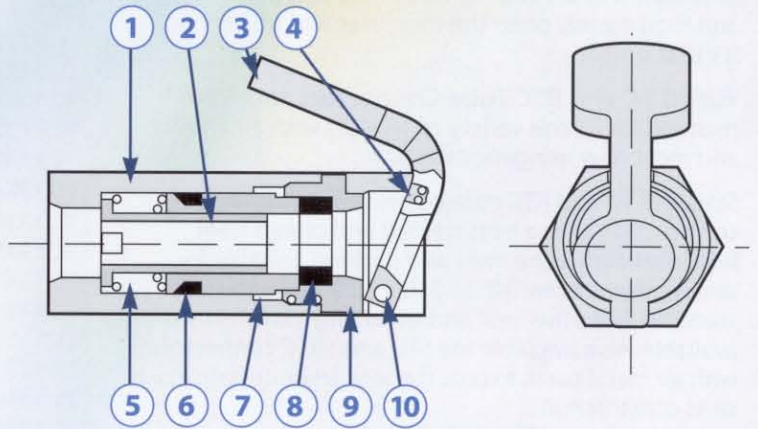
Model OTC Tube Connectors operate on the same basic principles as the **Model TC** tube connectors described on pages 8 and 9. However, the **Model OTC** has been designed specifically for use in those applications where there are advantages in making the tube connector's seal on the outside diameter of the tube — for example, where connection has to be made to smooth tubes which do not have square cut ends.

Model OTC features *Full Flow* design with an internal tube stop. A seal is compressed around the tube by the plunger as it is actuated by the test pressure. In **1500 Series** connectors for capillary tubes a leak-free seal is created by an O-ring which is compressed around the tube by the plunger as it is actuated by the test pressure. A lock lever grips the tube for positive hold.

Connection to the tubing is instantaneous. Just attach the connector to the service line, depress the lock lever and push on over tubing to a positive stop. This automatically locks the tube into place, ready for leak testing, charging of refrigerant, or other operations.

To disconnect, relieve the test pressure and then merely press the lock lever and pull the connector off. It's that simple.

Standard OTC connectors are of aluminum construction with a heat treated and plated steel lock lever. Neoprene seals and quad ring, suitable for temperatures from -20° to 250°F (-29° to 121°C), are standard, but other seal and quad ring materials are available. Also available are SOTC connectors with all metal parts, except the lock lever, of stainless steel construction.



- PART material**
- 1. CYLINDER *anodized aluminum*
 - 2. STOP SLEEVE *stainless steel*
 - 3. LOCK LEVER *hardened and plated steel*
 - 4. LEVER SPRING *stainless steel*
 - 5. COMPRESSION SPRING *stainless steel*
 - 6. QUAD RING *neoprene*
 - 7. PLUNGER *anodized aluminum*
 - 8. SEAL *neoprene*
 - 9. HEAD *anodized aluminum*
 - 10. LEVER PIN *stainless steel*

Model Number♦	Tube Size O.D.	Minimum Tube Length	O.D.	Length	Inlet
OTC 2502 57	1/4"				
OTC 2503 57	5/16"	1"	7/8" hex.	2 3/8"	1/4" NPT
OTC 2504 57	3/8"				
OTC 1500 57	.060–063"				
OTC 1501 57	.072–078"				
OTC 1502 57	.081–087"	1"	7/8" hex.	2 3/8"	1/4" NPT
OTC 1503 57	.093–099"				
OTC 1504 57	.106–.112"				

Note: Adaptable to nominal metric dimensions.

♦ When ordering, please specify model number, tube O.D., minimum available length, test pressure, media and media temperature. Tolerance of bore must be +.002/-.002 maximum.