

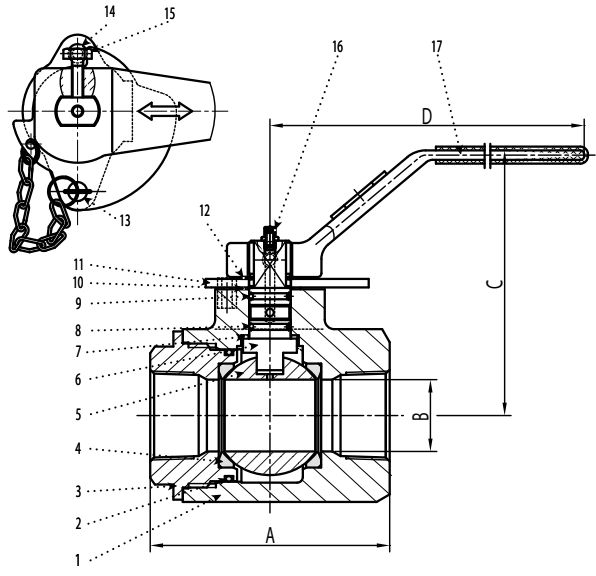


Valves, Automation & Controls

Fig. OP54CE6DV  
OIL PATCH CARBON STEEL  
BALL VALVE

**Design Features**

- Carbon Steel Body
- 5000 psi
- Standard Port
- 2 Piece
- Delrin Seats
- Nace MR-01-75-2009 Compliant
- Heavy Duty Locking Device
- Blow-out Proof Stem
- Double O-Ring Stem Seal
- Grease Fitting for Constant Lubrication and Protection Against Corrosion and Moisture

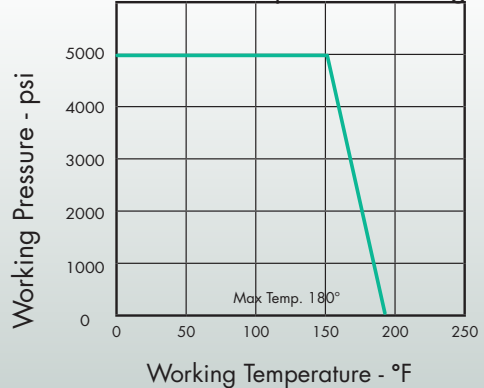


No.	Part	Material
1	Body	WCB
2	Body Seal	Viton
3	Bonnet	WCB
4	Seat	Delrin
5	Ball	AISI 420 Stainless Steel
6	Stem	AISI 420 Stainless Steel
7	Thrust Washer	PTFE
8	Stem Seal	Viton
9	Stem Seal	Viton
10	Stem Packing	PTFE
11	Locating Plate	Steel
12	Clip Spring	Spring Steel
13	Pin with Chain	Copper & Steel
14	Handle Screw	Steel
15	Stop Bolt	Steel
16	Grease Zerk	SS201
17	Handle	Ductile Iron

Size IN	Part Number	Weight LB	A IN	B IN	C IN	D IN
2	SVOP54CE6DV020	14.2	5.51	1.50	5.07	10.00

**Technical Information**

Pressure Temperature Ratings



USA 800-766-0076  
 Fax 323-890-4456  
 www.smithcooper.com  
 www.sharpevalves.com  
 Los Angeles, CA  
 Chicago, IL  
 Atlanta, GA  
 Vancouver, WA  
 Houston, TX