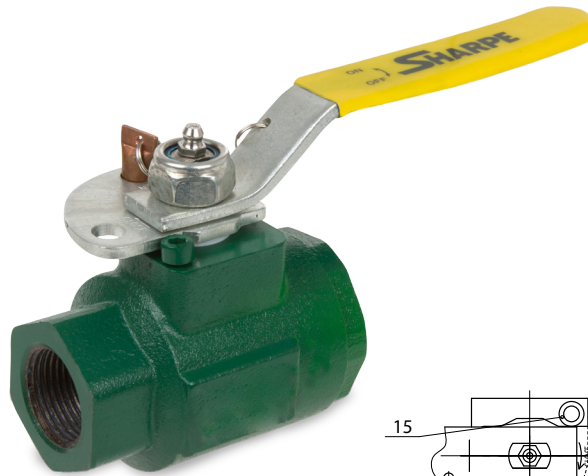
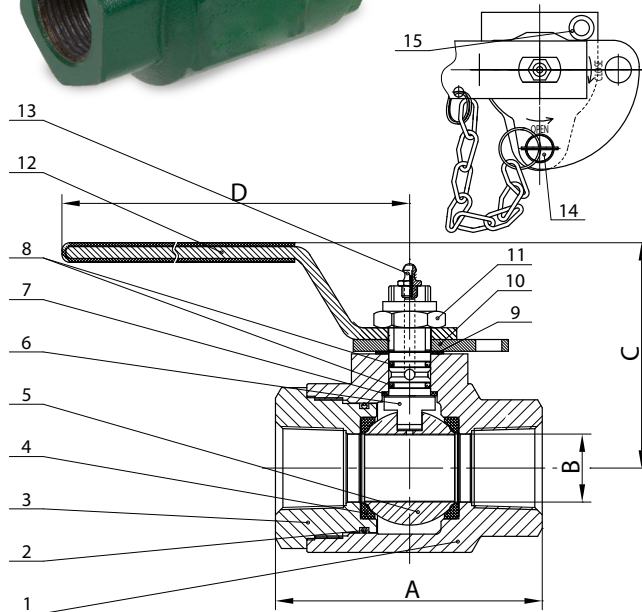


FIG. OP50DB6RV

OIL PATCH DUCTILE IRON BALL VALVE

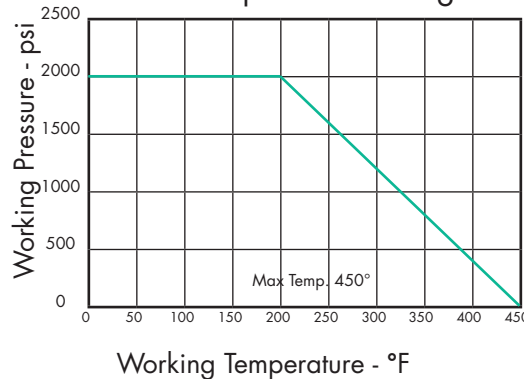


- Ductile Iron Body
- 2000 psi
- Full Port
- RPTFE Seats
- Nace MR-01-75 Compliant
- Heavy Duty Locking Device
- Blow-Out Proof Stem
- Double O-Ring Stem Seal
- Grease Fitting for Constant Lubrication and Protection Against Corrosion and Moisture



No.	Part	Material
1	Body	Ductile Iron
2	Seat Ring	Viton
3	Bonnet	Ductile Iron
4	Seat	RPTFE
5	Ball	AISI 420 Stainless Steel
6	Stem	AISI 420 Stainless Steel
7	Stem Packing	PTFE
8	Stem Seal	Viton
9	Thrust Bearing	PTFE
10	Locating Plate	Steel
11	Stem Nut	Steel
12	Handle	Carbon Steel
13	Grease Zerk	SS201
14	Pin with Chain	Copper & Steel
15	Stop Bolt	Steel

Pressure Temperature Ratings



Size IN	Part Number	Weight LB	A IN	B IN	C IN	D IN
3/4	SVOP50DB6RV006	3.9	3.78	0.79	3.09	6.26
1	SVOP50DB6RV010	4.4	4.00	1.00	3.27	6.46
1-1/2	SVOP50DB6RV014	9.9	5.51	1.50	4.84	8.46
2	SVOP50DB6RV020	16.7	6.02	2.00	5.86	9.76
2-1/2	SVOP50DB6RV024	20.9	7.00	2.56	6.30	9.76
3	SVOP50DB6RV030	40.7	8.74	3.00	6.22	14.96
4	SVOP50DB6RV040	52.7	9.40	3.94	6.77	29.53

SHARPE[®]

USA 877.774.2773

Fax 708.562.9221

www.sharpevalves.com

Chicago, IL

Los Angeles, CA

Atlanta, GA

Vancouver, WA

Houston, TX