



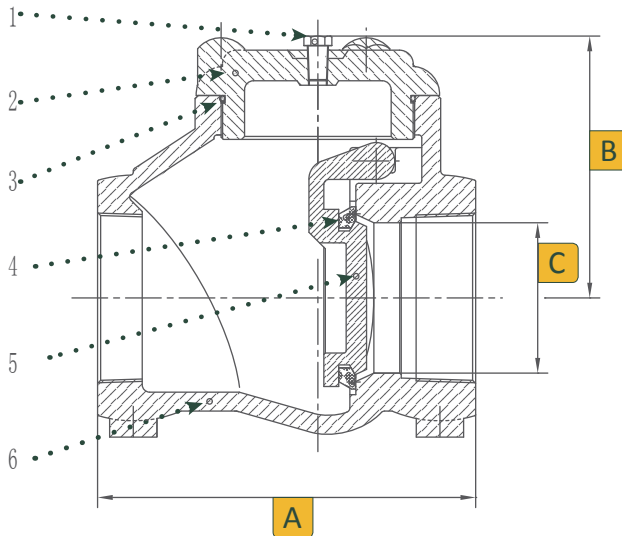
Valves, Automation & Controls

Fig. OP20DB6VV OIL PATCH CARBON STEEL SWING CHECK VALVE

Design Features

- Ductile Iron Body
- 300, 600, 720, 750, 1000, 1440, 1500, or 2000 psi
- Nace MR-01-75-2009 Compliant
- 316 Stainless Steel, One-Piece Hanger and Disc
- Full Flow When Open
- Top Entry Swing Check

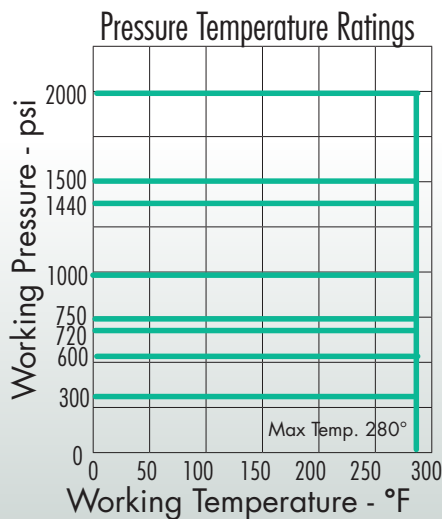
Dimensions & Materials



No.	Part	Qty	Material
1	Bonnet Plug	1	Carbon Steel
2	Bonnet	1	Ductile Iron
3	O-Ring	1	Viton
4	Seat	1	Viton
5	Disc	1	316 Stainless Steel
6	Body	1	Ductile Iron

Size	Weight	A	B	C
1	6.0	4.25	1.00	3.34
2	12.1	6.30	2.00	4.09
3	22.5	8.25	3.00	5.43
4	57.8	10.00	3.98	7.80

Technical Information & How to Order



Size	Part Number	Pressure Rating psi
1	SVOP20DB6VV010	300
2	SVOP20DB6VV020	600
3	SVOP20DB6VV030	720
4	SVOP20DB6VV040	750
		1000
		1440
		1500
		2000

Ordering: Part Number - Pressure Rating

Example: SVOP20DB6VV020 - 1000

Description: 2" - Ductile Iron Swing Check - 1000 psi

USA 800-766-0076

Fax 323-890-4456

www.smithcooper.com

www.sharpevalves.com

Los Angeles, CA

Chicago, IL

Atlanta, GA

Vancouver, WA

Houston, TX