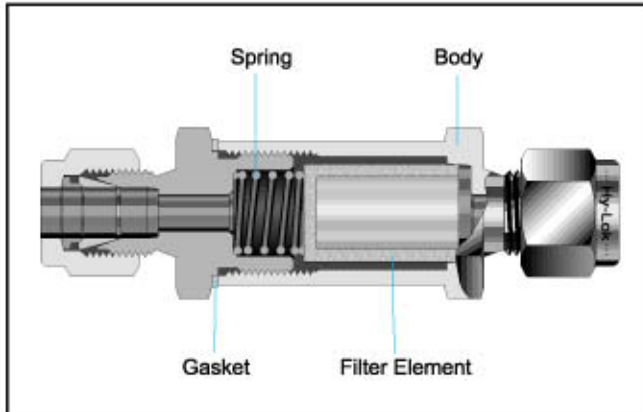


# Hy-Lok FI Series

## Micron Inline Filter

Catalog No. H-F200  
Mar. 2004



### Features

- In-line filters are for use where space is limited
- Replaceable Filter element
- Particle trapping for clean fluid

### Material of Construction

Description	Material / ASTM Specification	
Body	SS316 / A479	BRASS / B16
Spring	SS302	
Gasket	Silver-plated SS316 / A240	Aluminum / B209
Filter Elements	SS316 Sintered	

### Flow Data at 70°F (20°C)

Nominal Element Pore Size $\mu\text{m}$	Inlet Pressure, psig (bar)			Pressure Drop, psig (bar)		
	5 (0.34)	10 (0.68)	15 (1.0)	10 (0.68)	50 (3.4)	100 (6.8)
	Air Flow, std in <sup>3</sup> /min (std L/min)			Water Flow, std in <sup>3</sup> /min (std L/min)		
0.5	67.13 (1.1)	103.76 (1.7)	207.49 (3.4)	1.83 (0.03)	9.15 (0.15)	27.46 (0.45)
2	341.75 (5.6)	671.30 (11)	1037.46 (17)	18.30 (0.30)	55.53 (0.91)	91.54 (1.5)
7	854.38 (14)	1525.68 (25)	2074.92 (34)	22.58 (0.37)	67.13 (1.1)	109.85 (1.8)
15	1342.59 (22)	2196.97 (36)	2563.13 (42)	27.46 (0.45)	79.34 (1.3)	128.16 (2.1)
60	2929.30 (48)	3783.67 (62)	4149.84 (68)	34.18 (0.56)	109.85 (1.8)	158.67 (2.6)
90	3112.38 (51)	3783.67 (62)	4454.97 (73)	45.77 (0.75)	109.85 (1.8)	134.26 (2.2)

### Technical Data

• **Maximum Operating Pressure** : 3000 PSI @ 70°F (21°C)

• **Operating Temperature Range** :

From -20°F to 900°F (-28°C to 482°C) with SS316 body.  
and up to 300°F (148°C) with Brass body

• **Effective Filtration Area** :

Series	Effective Filtration Area
FI1	0.55 sq. in. (0.00035 sq. meter)
FI2	1.30 sq. in. (0.00083 sq. meter)
FI3, FI4	2.0 sq. in. (0.00128 sq. meter)

• **Filter elements**

Elements remove 95% of particles larger than the nominal pore size.

Nominal pore Size $\mu\text{m}$	Pore Size Range $\mu\text{m}$
0.5	0.5 to 2
2	1 to 4
7	5 to 10
15	11 to 25
60	50 to 75
90	75 to 100

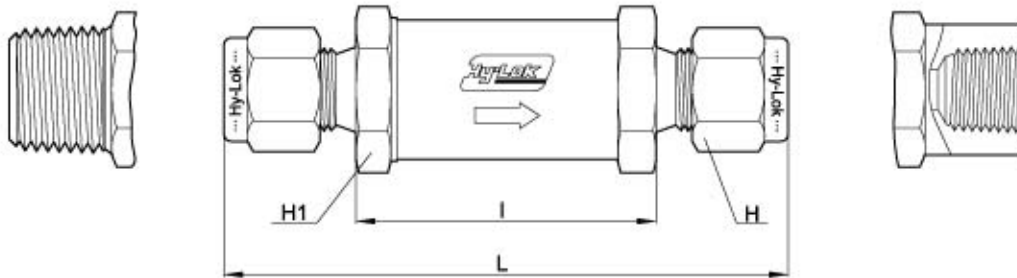
### Operation and Filter Replacement

The filter element, which is made of sintered stainless steel, is porous and has lots of tiny holes. Particles bigger than the pores are not allowed to pass through, hence clean system media. After a certain period, the holes may be blocked by particles and pressure drop will increase. This depends upon the total flow through the elements and cleanliness of upstream flow. The element needs to be replaced for clean system media with minimal pressure drop.



**HY-LOK CORPORATION**

© 1998, 1999, 2000, 2002, 2003, 2004 HY-LOK CORPORATION all rights reserved



## Table of Dimensions

Basic Part No.			Orifice in.(mm)	End Connection		Dimensions, in.(mm)			
Series	Part No.			Inlet	Outlet	L	I	H	H1
FI 1	H	- 2T -	0.094 (2.4)	1/8 Hy-Lok	1/8 Hy-Lok	2.35 (59.7)	1.15 (29.2)	7/16 (11.1)	9/16 (14.3)
	M	- 2N -		1/8 Male NPT	1/8 Male NPT	1.91 (48.6)		-	
	F	- 2N -		1/8 Female NPT	1/8 Female NPT	2.16 (54.9)		-	
	H	- 3M -		3mm Hy-Lok	3mm Hy-Lok	2.38 (60.5)		0.47 (12.0)	
FI 2	H	- 4T -	0.187 (4.8)	1/4 Hy-Lok	1/4 Hy-Lok	2.96 (75.2)	1.56 (39.7)	9/16 (14.3)	3/4 (19.0)
	M	- 4N -		1/4 Male NPT	1/4 Male NPT	2.69 (68.3)		-	
	F	- 4N -		1/4 Female NPT	1/4 Female NPT	2.87 (72.9)		-	
	H	- 6M -		6mm Hy-Lok	6mm Hy-Lok	2.96 (75.2)		0.55 (14.0)	
FI 3	H	- 6T -	0.281 (7.1)	3/8 Hy-Lok	3/8 Hy-Lok	3.22 (81.8)	1.70 (43.2)	11/16 (17.4)	1 (25.4)
	M	- 6N -		3/8 Male NPT	3/8 Male NPT	2.82 (71.6)		-	
	F	- 6N -		3/8 Female NPT	3/8 Female NPT	3.04 (77.2)		-	
FI 4	H	- 8T -	0.409 (10.4)	1/2 Hy-Lok	1/2 Hy-Lok	3.42 (86.9)		7/8 (22.2)	
	H	- 10M -		10mm Hy-Lok	10mm Hy-Lok	3.24 (82.2)		0.75 (19.0)	

Dimensions shown with Hy-Lok nuts in finger-tight position, where applicable.

## Ordering Information

FI

### Series Designator

- FI 1 : Orifice 0.094(2.4)
- FI 2 : Orifice 0.187(4.8)
- FI 3 : Orifice 0.281(7.1)
- FI 4 : Orifice 0.409(10.4)

F

### End Connection Designator

- H : Hy-Lok Tube Fitting
- M : Male Pipe Thread
- F : Female Pipe Thread

4N

### Size Designator

15

### Filter Element Designator

- 05 : 0.5 Micron
- 2 : 2 Micron
- 7 : 7 Micron
- 15 : 15 Micron
- 60 : 60 Micron
- 90 : 90 Micron

S316

### Body Material Designator

- S316 : 316 Stainless Steel
- BRAS : brass

### • NPT ( ISO / BSP )

Thread (in)	1 / 8	1 / 4	3 / 8	1 / 2
Designation	2N(R)	4N(R)	6N(R)	8N(R)

### • Tube O.D. Designation

Inch Tube	Tube O.D. Designation	1 / 8	1 / 4	3 / 8	1 / 2
		2	4	6	8
Metric Tube	Tube O.D. Designation	3mm	6mm	10mm	12mm
		3M	6M	10M	12M

## ■ QUALITY SYSTEM CERTIFICATES



ISO 9001  
CERTIFICATE NO.GQC 212

ASME SECT II (MO)  
CERTIFICATE NO. QSC 584

## ■ TYPE APPROVALS (for Hy-Lok Tube Fittings)



American Bureau Shipping  
CERTIFICATE NO.00-BKS0289-X



Lloyd's Register  
CERTIFICATE NO.01/10075



GERMANISCHER LLOYD  
CERTIFICATE NO.57798 - 91 HH



DET NORSKE VERITAS  
CERTIFICATE NO.P - 9100

## SAFETY in VALVE SELECTION

Proper installation, material compatibility, operation and maintenance of these valves are the responsibility of the user. The total system design must be taken into consideration to insure optimal performance and safety.



Distributed by :

www.hy-lok.com